



Bring scalability and high availability to Secure Application Access with the AEP Load Balancer (LB). Load Balancer integrates seamlessly into your network infrastructure, bringing reliability and higher performance to your application access environment.

Geographical Diversity. High availability and reliability among clusters located in geographically distant sites.

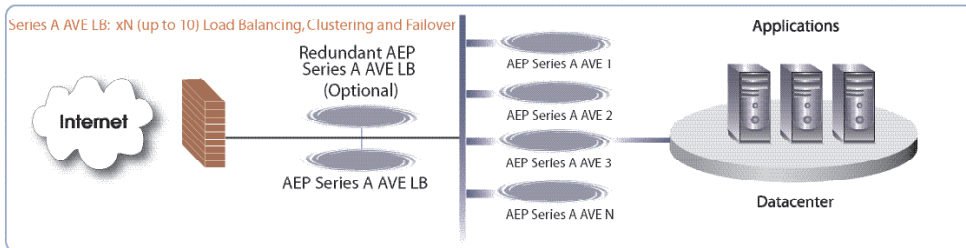
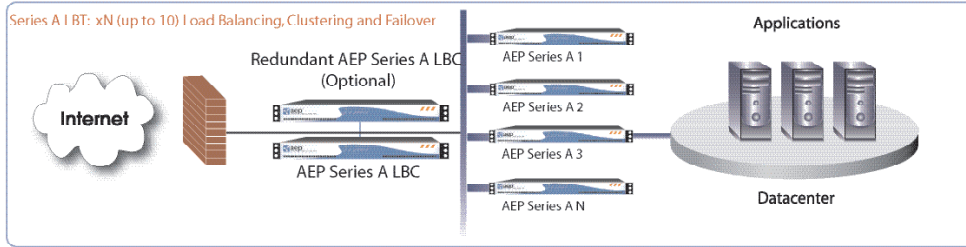
Virtual Edition. Series A LB is available as a virtual appliance enabling you to spin up projects quickly within your VMware-based environment to meet growth demands whether planned or unexpected. Hardware models are also available.

User License Sharing. Series A user licenses are shared among units within the clusters. No other license types or cost required.

Features	Benefits
▶ Robust load balancing and traffic distribution among AEP Series A appliances	▶ Greater scale and performance: Extend your application infrastructure to thousands of users
▶ High availability and hardware failover of Series A appliances across local cluster or geographically diverse data centers	▶ Ensures 24x7 continuity of operations; helps meet disaster planning initiatives
▶ Redundancy option for Series A Load Balancer appliances (via backup Load Balancer appliance)	▶ Total confidence in your load balancing availability
▶ Installs quickly and seamlessly	▶ No impact on existing network infrastructure
▶ License sharing among unit(s) within cluster	▶ Continuity of operations, even during potential hardware failure
▶ Web-based administration console	▶ Quick setup and configuration delivers ease of deployment and management
▶ Supports ALL Series A application access services	▶ Complete solution for your Series A environment
▶ Activity monitoring and historical reporting via Web-based console and SNMP	▶ Plan for future capacity requirements and isolate potential faults
▶ Choose from virtual or hardware Series A Load Balancer appliances	▶ Choose the model type best suited for your network

Single Site Load Balancing

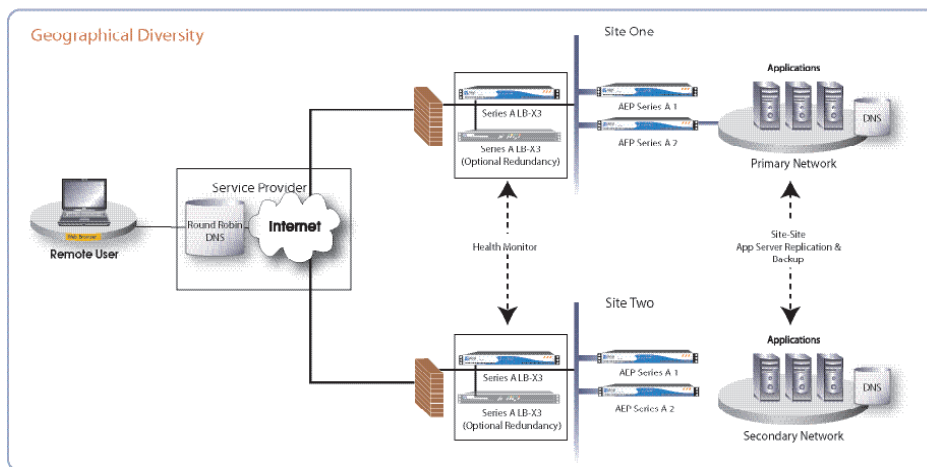
Single Site Load Balancing



Geographical Load Balancing for Scale, High Availability and Disaster Planning

The Series A Load Balancer helps satisfy Disaster Recovery (DR) and business continuity requirements through the transparent delivery of application services and resources across Series A clusters in physically disparate data centers. Should one location become unavailable – or even begin to exhibit performance degradation - the Series A Load Balancer will automatically redirect new users to an alternate Series A cluster, providing seamless continuity in the case of emergency.

The Series A Load Balancer thus delivers a vital lifeline between remote workers and key application resources – seamlessly and without interruption– allowing organizations to meet any crisis with confidence.



United States

Toll-Free: +1-877-638-4552
Tel: +1-732-652-5200

Europe

Tel: +44 1344 637 300

Greater China

Tel: +8621 5116 7120

SE Asia, Singapore

Tel: +852 2961 4566

Australia/New Zealand

Tel: +61 2 9413 2282

Japan:

Tel: +8180 5645 4503

Malaysia:

Tel: +60 32166 2260

Email: sales@aepnetworks.com Web: www.aepnetworks.com